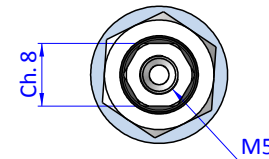
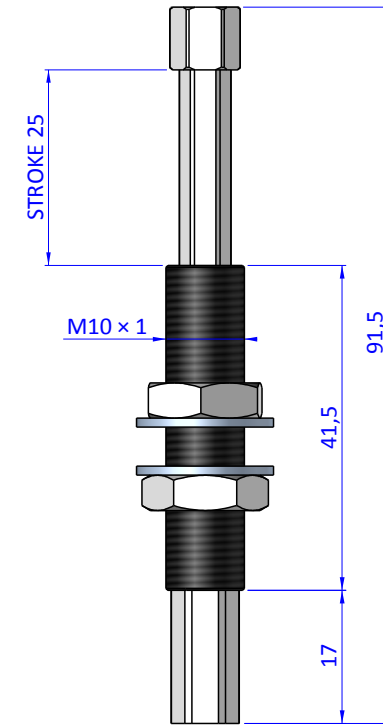
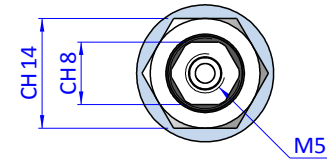
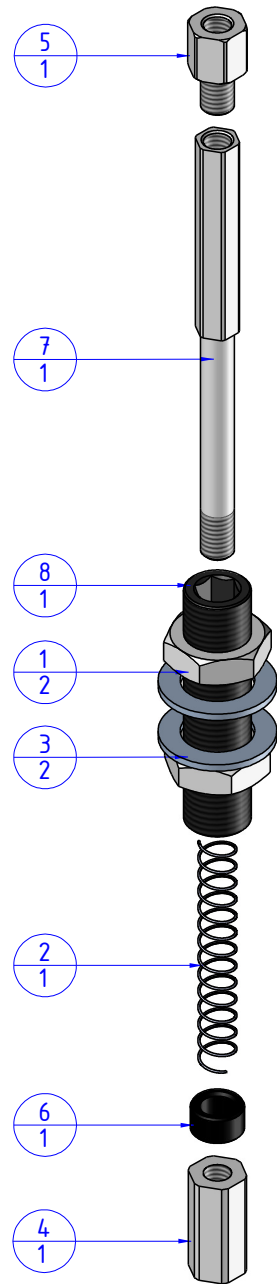


THE PROPERTY OF THE DRAWING IS ESTABLISHED BY LAW. IT IS FORBIDDEN TO PRODUCE OR SHOW IT TO THIRD PARTY, WITHOUT A WRITTEN AGREEMENT.

Item	Name	Qty.
1	05.01.005.06	2
2	M.5.8X38.50B	1
3	R.10.SCH	2
4	VSN.10.1	1
5	VSN.10.2	1
6	VSN.1025.3	1
7	VSN.1025.4	1
8	VSNG.1025.2.1	1



Format A3

UNI 936-76

		DESIGNED FROM	REVIEW
		FP SERVICES	A
GENERAL TOLERANCE	DESCRIPTION	DATE	WEIGHT
UNI - ISO 2768	CA.SDNG.1025	21/02/2019	0,016kg
CLASSE f		CODE	CA.SDNG.1025